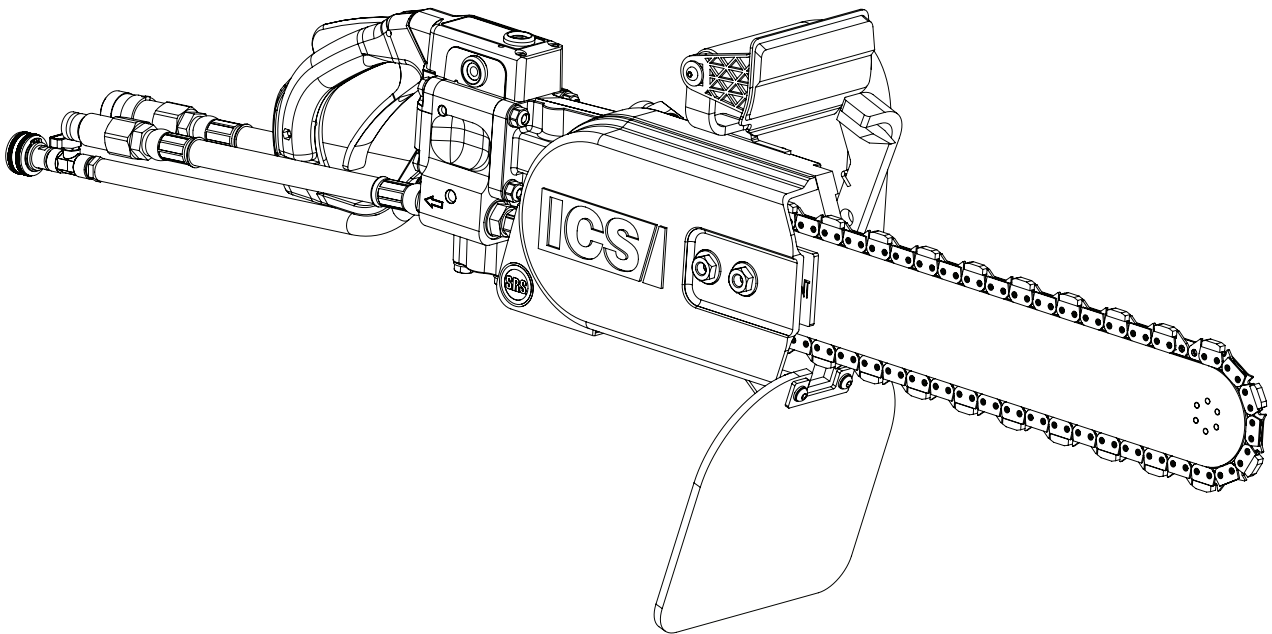




Diamond Tools and Equipment
for Construction and Infrastructure

Replacement Parts & Accessories Price List



880/890 Series Hydraulic Concrete Saw

Effective July 1, 2015

TABLE OF CONTENTS

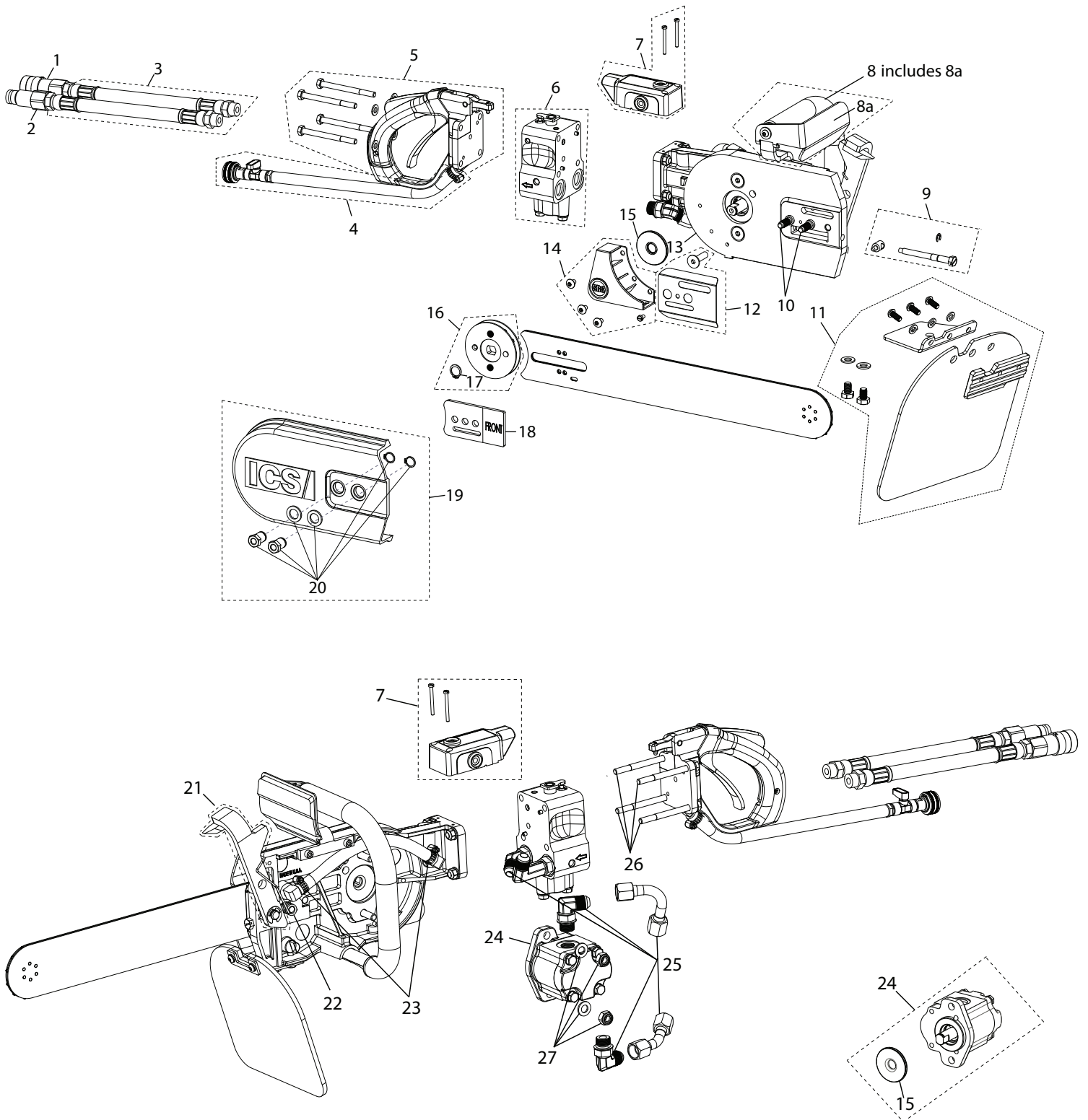
880/890 Series Hydraulic Concrete Saw

ITEM DESCRIPTION	PAGE
880/890 Series Hydraulic Saw Service Parts & Kits	2
880/890 Series Hydraulic Saw Assembly	3 - 4

SERVICE PARTS & KITS

880/890 Series Hydraulic Concrete Saw

Part No.	Description	MSRP
70619	880/890 Series Tensioning Screws, Hydraulic Saws	\$13.50
71526	880/890 Series Hydraulic Valve Spool Kit	\$84.00
72296	880/890 Series Hydraulic Valve Seal Kit	\$27.00
72347	880/890 Series Hydraulic Trigger Lock-Out Spring & Pin Kit	\$22.80
506026	880/890 Series Hydraulic Trigger & Lock-Out Kit	\$39.50
507407	880/890 Series Hydraulic Front Handle Fastener Kit	\$30.50
518869	880/890 Series Hydraulic Water Valve Kit, includes clip, plunger, spring, ball & water bridge spindle	\$101.50
564961	880/890 Series Motor Conversion Kit 8 gpm (30 lpm) - includes drive sprocket/motor bolts	\$724.50
564960	880/890 Series Motor Conversion Kit 12 gpm (45 lpm) - includes drive sprocket/motor bolts	\$724.50
528594	880/890 Series Motor Seal Kit	\$119.50
564923	880/890 Series Shaft Conversion/Replacement Kit 8 gpm (30 lpm)	\$336.40
564924	880/890 Series Shaft Conversion/Replacement Kit 12 gpm (45 lpm)	\$336.40
540291	880/890 Series Side Cover Gasket	\$15.55
72342	880/890 Series Hydraulic Motor Bolt Kit	\$21.75
72344	880/890 Series Valve Bolt Kit	\$23.85
530046	880/890 Series FORCE4™ Bar Nose Sprocket Repair Kit	\$39.33
566059	880/890 Series Water Shut-off Valve Kit	\$51.75



Key #	Part No.	Description	MSRP
1	71916	880/890 Series QD, Female, with O-Ring, Kit (hose not included)	\$79.00
2	71917	QD Male with O-Ring (hose not included)	\$47.00
3	70629	880/890 Series Hydraulic Pigtail Kit 1' hoses (set of 2 hoses, QD's included)	\$257.00
3	566556	880/890 Series Hydraulic Hose Whip 8' (one hose only, does not include Quick Disconnects) Not shown	\$88.00
4	566059	880/890 Series Water Shut-off Valve Kit	\$51.75
5	565316	880/890 Series Rear-Handle Replacement Kit	\$212.20
6	528553	880/890 Series Hydraulic Valve Replacement	\$554.00
7	565317	880/890 Series Valve Cover Kit with levels, Black	\$103.50
8	71153	880/890 Series Front Handle Kit (includes 8a) - 8gpm (30 lpm)	\$155.50
8a	74586	880/890 Series Front Hand guard Kit - 8 gpm (30 lpm)	\$29.00
8	71536	880/890 Series Front Handle Kit (includes 8a) - 12gpm (45 lpm)	\$155.50
8a	517874	880/890 Series Front Hand guard Kit - 12 gpm (45 lpm)	\$29.00
9	70636	880/890 Series Tensioner Kit	\$56.00
10	72349	880/890 Series Series Bar Mounting Studs	\$59.00
11	576336	880/890 Series Series Mud Flap Assembly	\$84.90
12	70627	880/890 Series Bar Mount Cover Plate	\$22.80
13	528562	880/890 Series Main Frame	\$337.50
14	512592	Baffle Drain Replacement Kit	\$62.50
15	528563	880/890 Series External Shaft Seal Kit	\$56.00
16	565065	880/890 Series Drive Sprocket (includes snap ring)	\$222.55
17	549796	880/890 Series Snap Ring Kt	\$4.15
18	70628	880/890 Series Bar Retaining Plate	\$34.50
19	528564	880/890 Series Side Cover Replacement Kit	\$188.50
20	70639	880/890 Series Cover Retaining Nuts (set of 2)	\$52.00
21	70641	880/890 Series WallWalker Replacement Kit	\$223.00
22	70640	880/890 Series WallWalker Spring	\$19.70
23	72346	Front Water Hose Kit	\$23.85
24	564962	880/890 Series Hydraulic Motor Replacement Kit - 8 gpm (30 lpm)	\$569.25
24	564983	880/890 Series Hydraulic Motor Replacement Kit - 12 gpm (45 lpm)	\$569.25
25	532400	880/890 Series Hydraulic Plumbing Replacement Kit	\$87.00
26	72344	880/890 Series Valve Bolt Kit	\$23.85
27	72342	880/890 Series Motor bolt kit (x2)	\$21.75

880/890 Series Replacement Parts & Accessories Price List

**ICS, Blount Inc.
4909 SE International Way
Portland, OR 97222
Tel 800.321.1240 Fax 503.653.4393
icsdiamondtools.com**