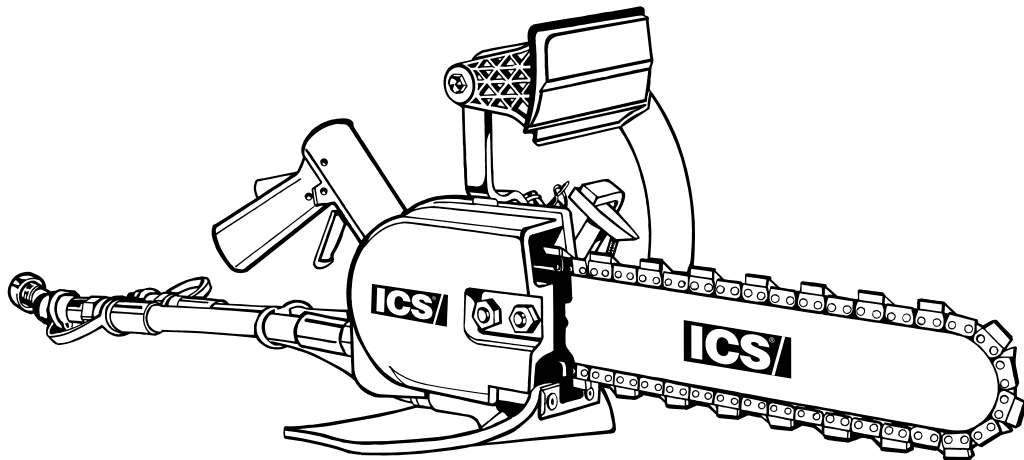




# Replacement Parts & Accessories Price List



## 814PRO Hydraulic Concrete Saw

Effective July 1, 2015

# TABLE OF CONTENTS

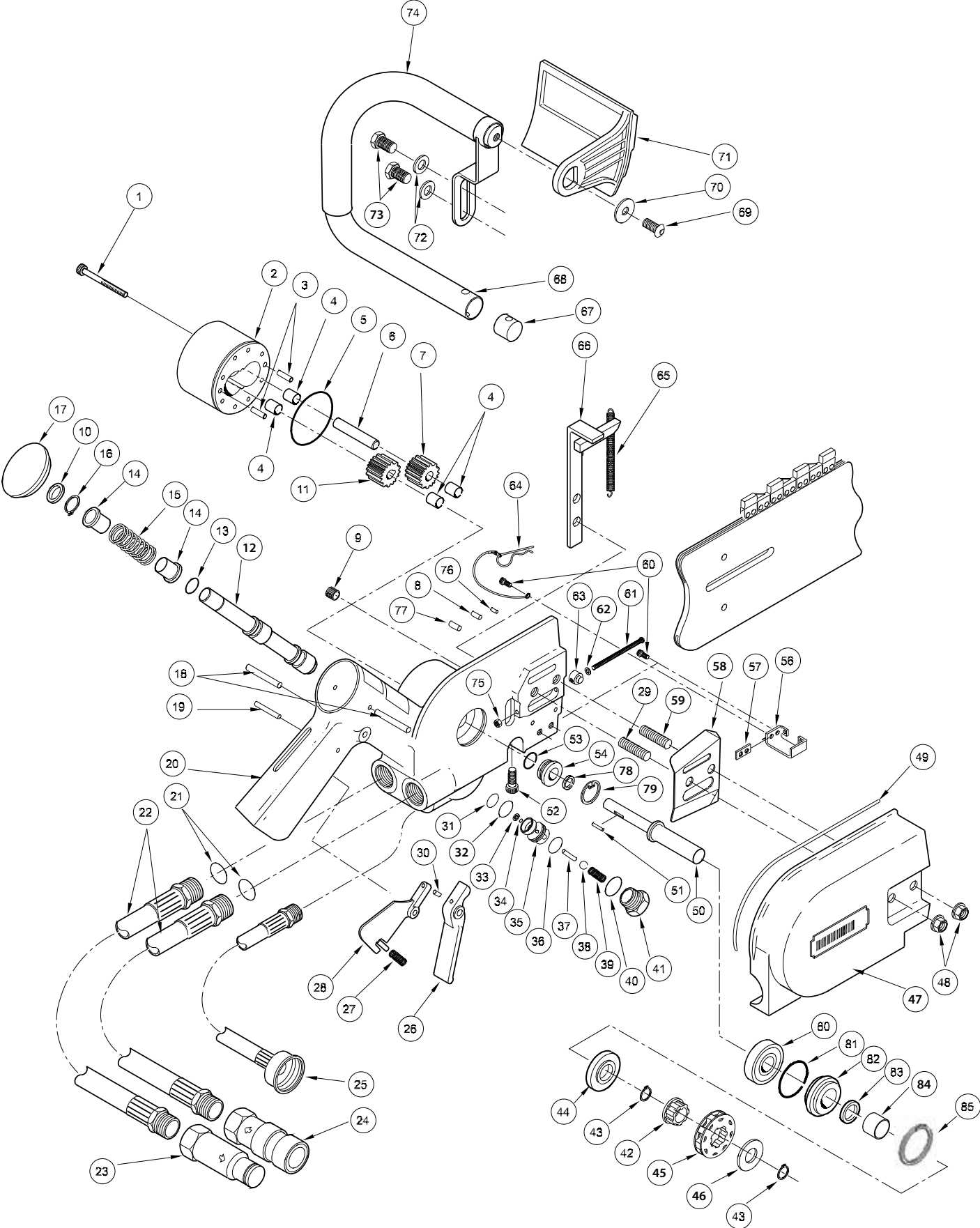
## 814PRO Hydraulic Concrete Saw

ITEM DESCRIPTION	KEY	PAGE
814PRO Hydraulic Saw Service Parts & Kits	n/a	1
814PRO Hydraulic Saw Assembly (Parts 1-46)	A	2-3
814PRO Hydraulic Saw Assembly (Parts 47-85)	A	4-5

# SERVICE PARTS & KITS

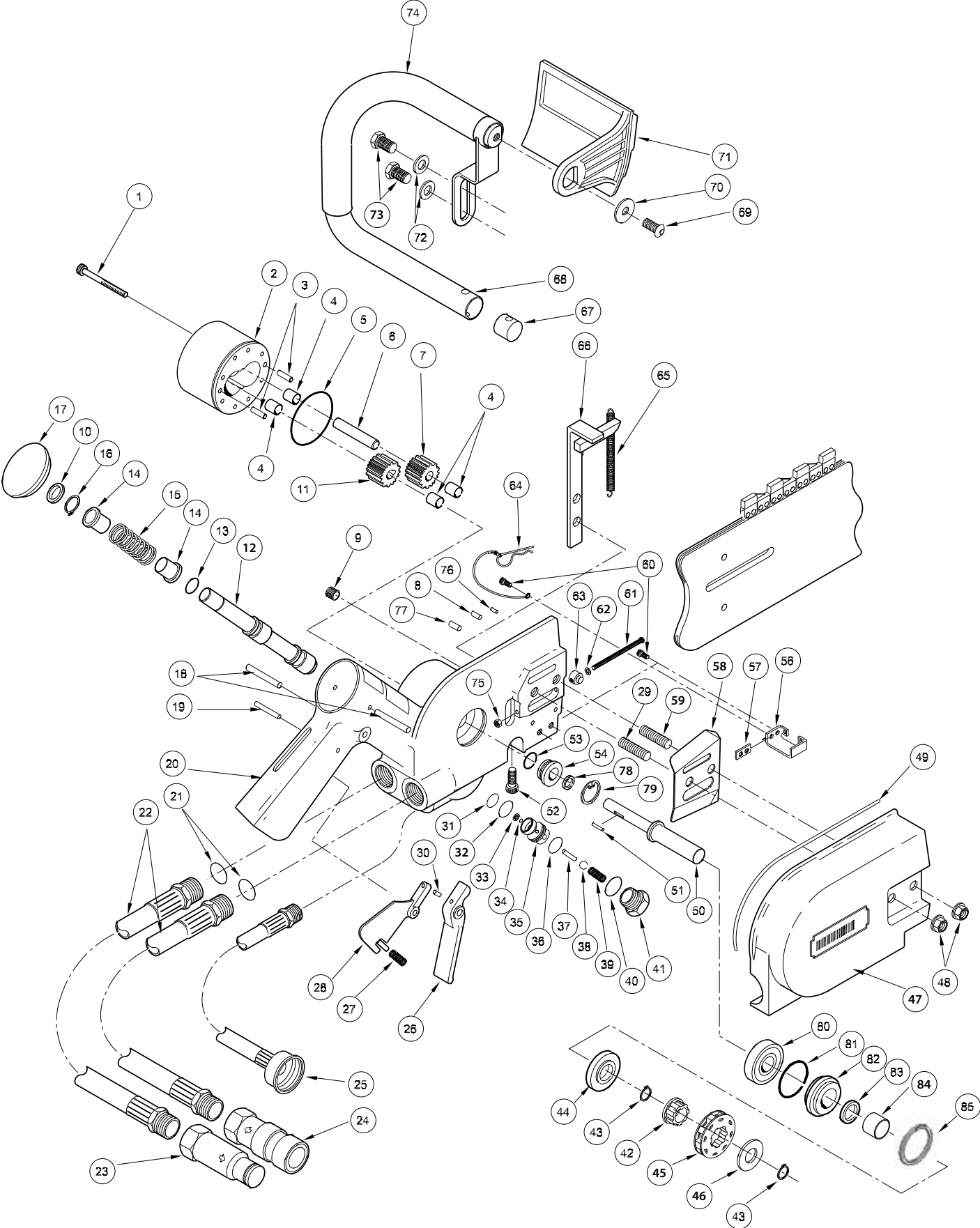
## 814PRO Hydraulic Concrete Saw

<b>Part No.</b>	<b>Description</b>	<b>MSRP</b>
71152	Tensioning Scrench, Hydraulic Saws	\$15.55
71944	Water Valve Seal Kit, includes: 34, 35, 37, 39, & 43	\$33.50
71945	Motor Shaft Seal Kit, includes 5,53,78,79,81,83	\$93.50
74061	Chain Tensioning Assembly, includes 61,62,63,75	\$65.50
75260	814PRO Rim Sprocket Upgrade Kit	\$483.50
74042	Guidebar - 13 in (33cm)	\$190.00
74719	TwinPRO-25 - 13 in (33cm)	\$625.00
74510	Bar nose repair kit	\$39.33



**814PRO • KEY A PARTS (1 - 46)**

<b>Key #</b>	<b>Part No.</b>	<b>Description</b>	<b>MSRP</b>
1	74514	HSH Cap Screw 10-24 x 1 1/4	\$5.70
2	74515	Rear Gear Housing Assembly	\$232.00
3	74516	Dowl Pin	\$4.15
4	74517	Bushing (4)	\$34.50
5	74518	O-Ring	\$9.50
6	74519	Idler Shaft	\$41.50
7	74520	Idler Gear	\$143.00
8	74021	WallWalker Pivot Pin	\$25.90
9	74597	1/8 NPT Plug	\$11.40
10	74596	Wiper Seal	\$54.00
11	74522	Drive Gear, with Keyway	\$168.00
12	74523	On-Off Valve	\$124.50
13	74524	Hydraulic Valve Seal	\$9.50
14	74525	Spring Washer	\$25.90
15	74526	Spring	\$22.80
16	74527	Retaining Ring, 1/2 External	\$9.00
17	74528	Plug Button	\$9.55
18	74529	Roll Pin	\$4.15
19	74530	Roll Pin	\$4.15
20	74531	Valve Handle Assembly includes 74540 & 74569	\$1,030.00
21	74532	O-Ring	\$8.90
22	74533	Pigtail Hose Assembly	\$46.00
23	74534	1/2 in (1.3 cm) Flush Face Coupler (M)	\$45.00
24	74535	1/2 in (1.3 cm) Flush Face Coupler (F)	\$87.00
25	74536	Water Hose Assembly	\$92.50
26	74537	Trigger	\$54.00
27	74538	Spring	\$4.70
28	74539	Safety Catch, Trigger Lock-Out	\$56.00
29	74540	Rear Stud	\$62.50
30	74542	Roll Pin	\$4.15
31	74543	O-Ring	\$5.70
32	74544	O-Ring	\$5.70
33	74545	Self Locking Retaining Ring	\$6.50
34	74546	O-Ring	\$4.70
35	74547	Water Valve Sleeve	\$146.00
36	74548	O-Ring	\$5.70
37	74549	Pin	\$51.00
38	74550	Steel Ball	\$12.00
39	74551	Spring	\$7.80
40	74552	O-Ring	\$9.50
41	74553	Seal Cap	\$63.50
42	71386	Splined Sprocket Adaptor	\$66.50
43	71384	External Shaft Retaining Ring	\$7.80
44	74497	Seal Spacer	\$39.50
45	71385	Rim Sprocket	\$33.50
46	71388	Tabbed Washer	\$13.50



814PRO • KEY A PARTS (47 - 85)

Key #	Part No.	Description	MSRP
47	71940	Side Cover Replacement Kit	\$309.50
48	74558	Flange Nut, M10	\$9.00
49	74559	Sprocket Side Cover Seal	\$19.70
50	71383	814PRO Motor Shaft Replacement	\$171.00
51	74561	Needle Roller	\$10.90
52	74562	HSH Cap Screw 5/15-18 x 3/4	\$3.15
53	74563	Shaft Seal	\$9.00
54	74564	Seal Back Up Washer	\$43.50
55	74591	Guard Flap Assembly (Not Shown)	\$43.50
56	74566	Guard Flap Mount	\$92.50
57	74567	Spacer	\$56.00
58	74568	Bar Mount Cover Plate	\$51.00
59	74569	Front Stud	\$67.50
60	74570	HSH Cap Screw 1/4-20 x 5/8	\$7.00
61	74571	Machine Screw	\$9.50
62	74572	Stat-O-Seal	\$13.00
63	74573	Bar Adjustment Nut	\$46.00
64	74019	Lanyard Assembly	\$28.00
65	74582	WallWalker Spring	\$15.55
66	74583	WallWalker Arm, with Spring	\$101.50
67	74574	Handle Bar Retainer	\$24.15
68	74575	Handle Bar	\$199.00
69	74584	Guard Mounting Bolt	\$12.45
70	74585	Guard Mounting Washer	\$10.90
71	74586	Front Handguard	\$29.00
72	74576	Washer	\$4.15
73	74577	HH Cap Screw 5/16-18 x 5/8, Zinc	\$7.00
74	74588	Handlebar Grip	\$19.70
75	74579	Nut 1/4-20 HHD LT SST	\$7.00
76	74580	Spiral Pin	\$7.80
77	74581	Spiral Pin	\$7.80
78	74493	Quad-Ring	\$9.00
79	74565	Retaining Ring	\$9.50
80	74554	Shaft Bearing Race	\$126.50
81	74498	O-Ring	\$9.00
82	74495	Seal Washer	\$37.50
83	74494	V-Ring	\$22.80
84	74496	Seal Ring	\$29.00
85	74555	Retaining Ring	\$9.00

**814PRO Replacement Parts & Accessories Price List**

**ICS, Blount Inc.  
4909 SE International Way  
Portland, OR 97222  
Tel 800.321.1240 Fax 503.653.4393  
icsdiamondtools.com**