

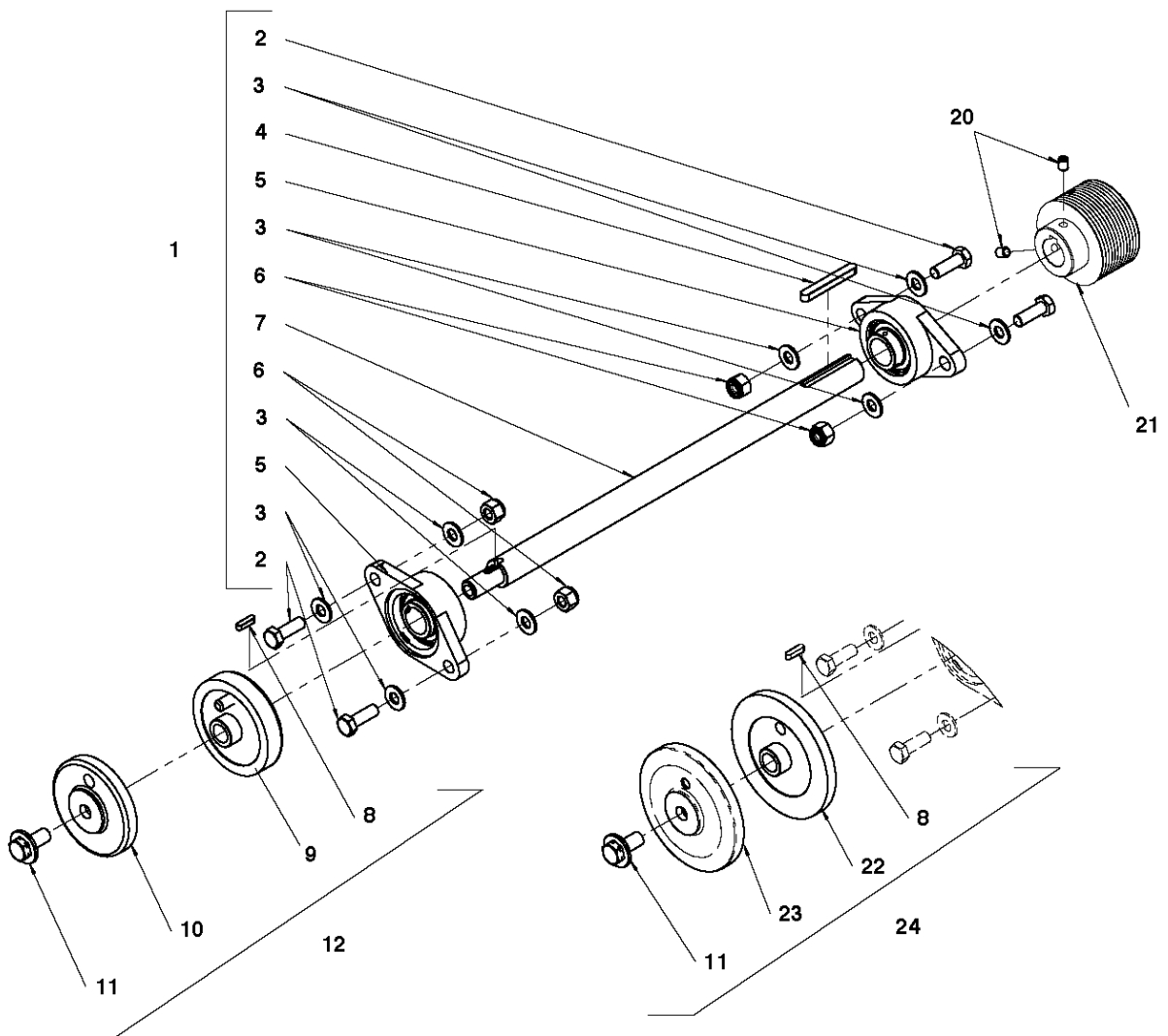


SPARE PARTS LIST

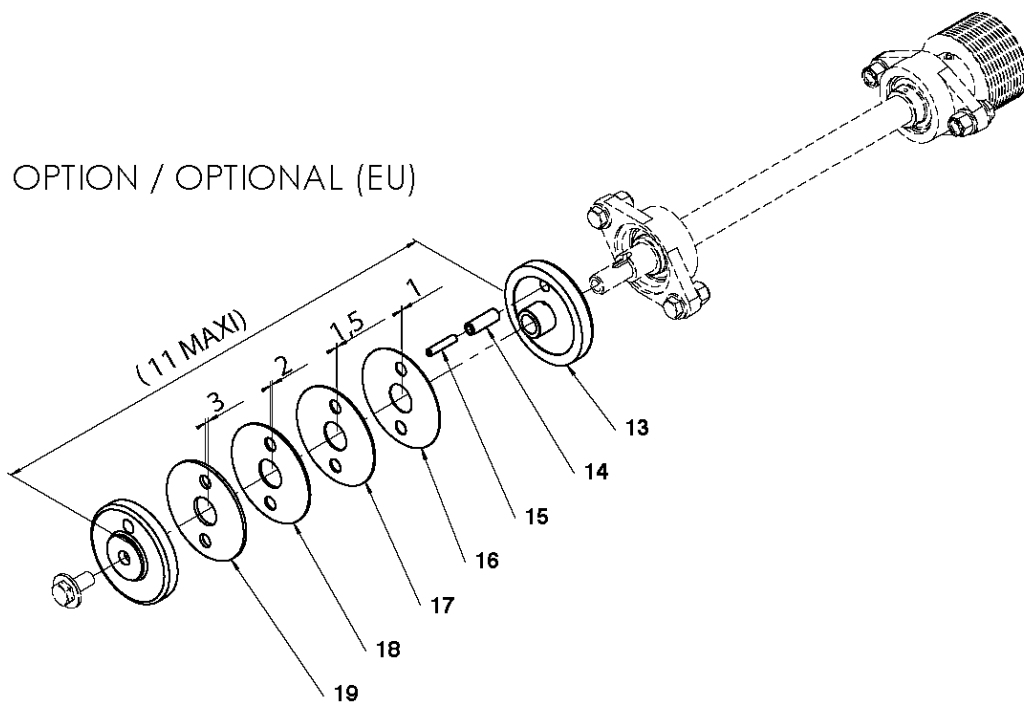
FLOOR SAWS

FS400 LV, 2014-08

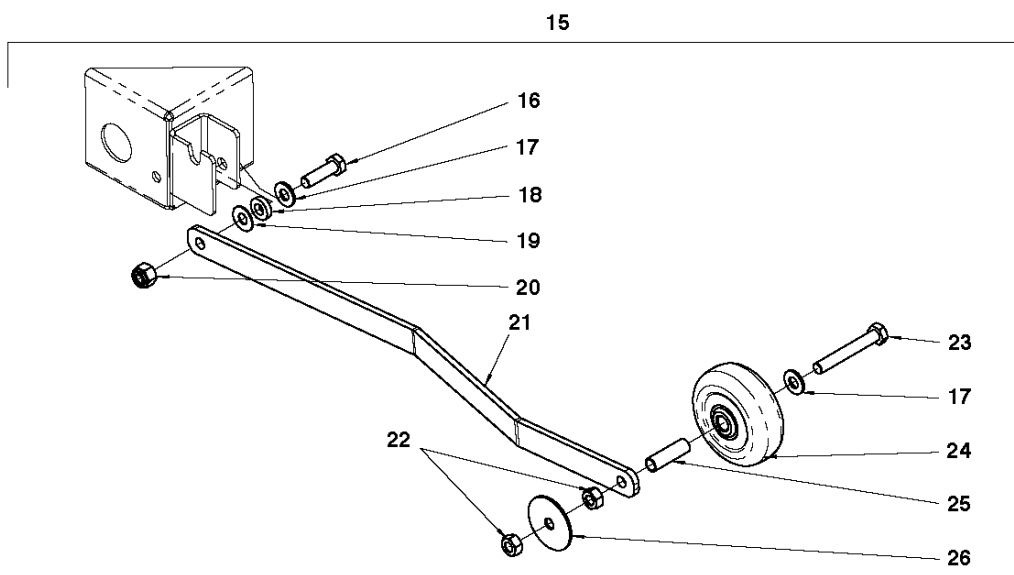
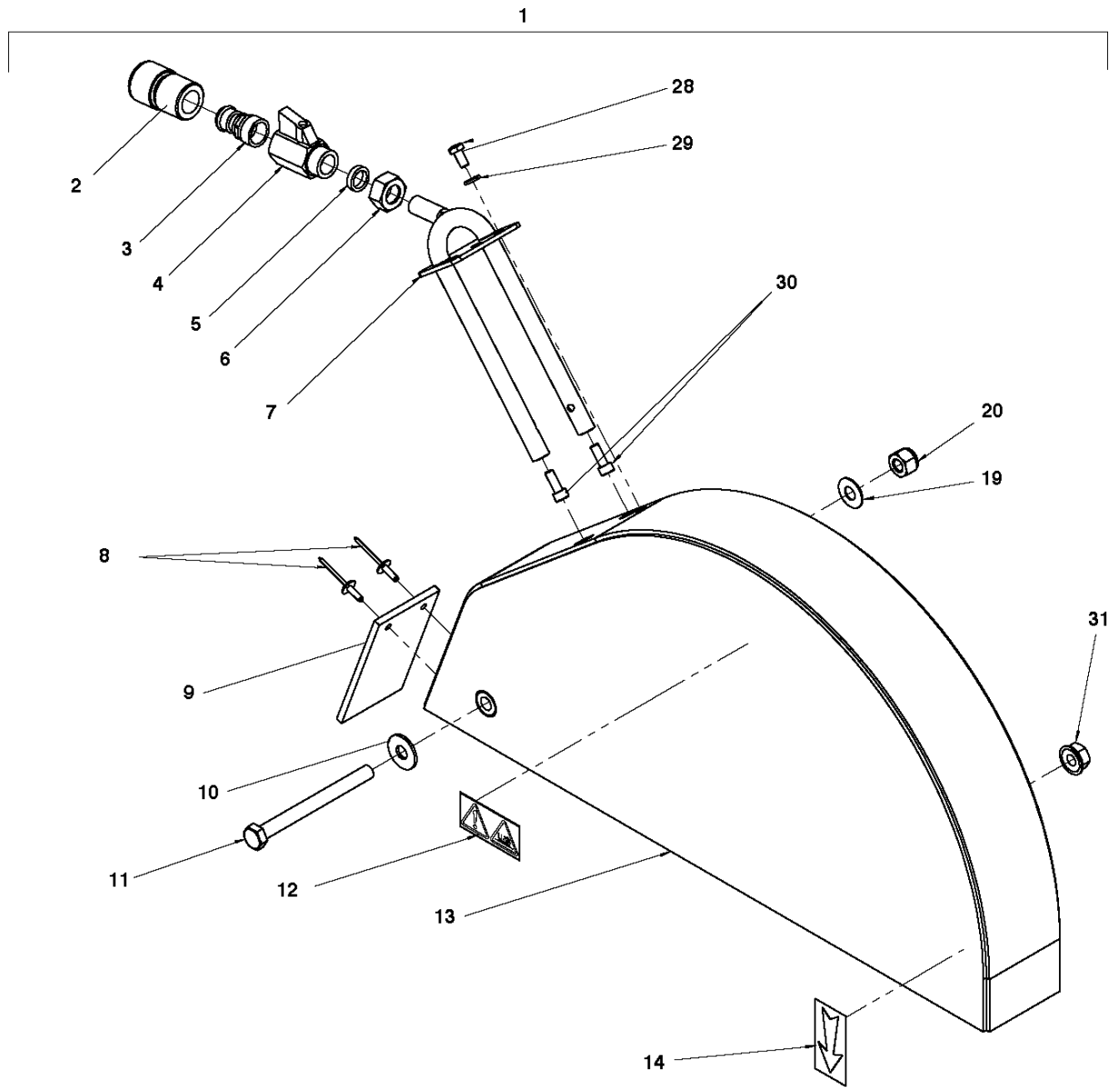
FOR SERIAL NUMBERS BEFORE 2013 2100001, SEE SERVICE BULLETIN SB1300036



OPTION / OPTIONAL (EU)



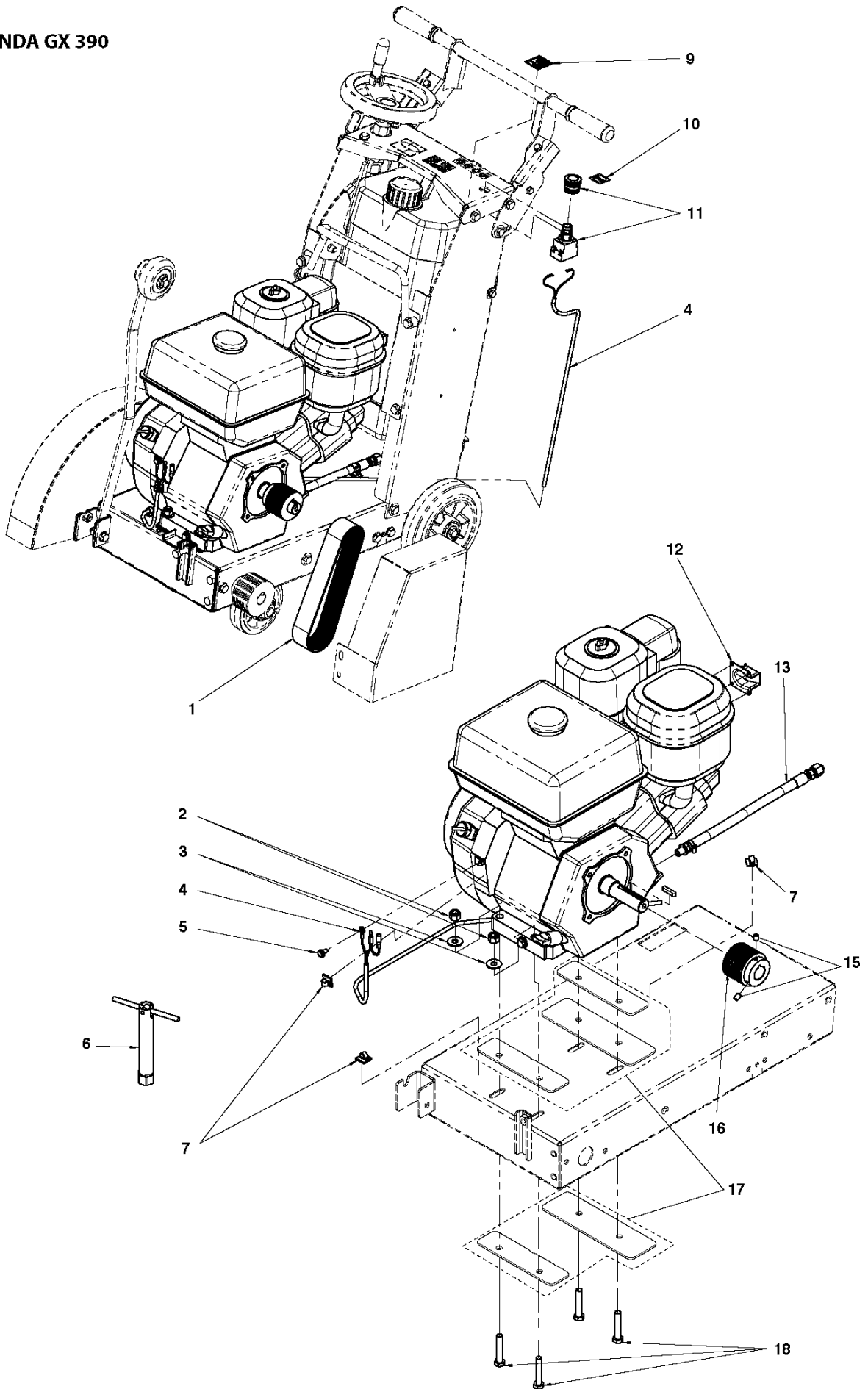
Ref	Part No	Description	Remark	QTY KIT
1	585 31 34-01	BLADE SHAFT	S/N before 2013 2100001, see service bulletin SB1300036	1
2	725 24 95-71	SCREW EHHM		4
3	734 11 72-01	WASHER		8
4	543 04 47-96	CLAVETTE 8X7X63BOUT ROND/		1
5	543 04 50-52	PALIER FY TB 25 TF/		2
6	732 25 20-01	HEXAGON LOCKING NUT		4
7	581 18 91-01	BLADE SHAFT	S/N before 2013 2100001, see service bulletin SB1300036	1
8	581 49 28-01	KEY	S/N before 2013 2100001, see service bulletin SB1300036	2
9	581 18 93-01	FLANGE	EU, S/N before 2013 2100001, see service bulletin SB1300036	1
10	543 04 28-62	PLAIN FLANGE/	EU	1
11	543 07 73-44	SCREW		1
12	585 31 35-01	FLANGE	EU, S/N before 2013 2100001, see service bulletin SB1300036	1
13	581 18 95-01	FLANGE	Optional EU, S/N before 2013 2100001, see service bulletin SB1300036	1
14	543 04 48-17	GOUPILLE ELASTIQUE 10X30/		1
15	543 04 48-11	GOUPILLE ELASTIQUE 6X30/		1
16	543 07 37-75	FLANGE		1
17	543 07 37-76	FLANGE		1
18	543 07 37-77	FLANGE		1
19	543 07 37-74	FLANGE		1
20	728 74 45-05	SCREW IHSETM		2
21	543 04 65-71	PULLEY BLADESHAFT 39423/		1
22	581 18 94-01	FLANGE	US, S/N before 2013 2100001, see service bulletin SB1300036	1
23	504 06 87-01	FLANGE	US	1
24	585 31 36-01	FLANGE	US, S/N before 2013 2100001, see service bulletin SB1300036	1



D

Ref	Part No	Description	Remark	QTY KIT
1	502 08 29-01	BLADE GUARD		1
2	543 04 56-12	RACCORD RAPIDE LAITON/D/15 535		1
3	543 04 56-10	ADAPT RAPIDE MALE 15X21/		1
4	543 04 55-39	ROBINET MINU-LUX 1/2 MXF/		1
5	543 04 55-60	COLLET		1
6	543 04 55-61	ECROU POUR COLLET BATTU/12.7/1		1
7	543 04 67-00	WATER PIPE 34986/		1
8	722 79 44-02	RIVET		2
9	543 04 28-75	RUBBER DEFLECTOR/FS450F/FS350C		1
10	734 11 74-41	WASHER		1
11	725 25 13-51	SCREW EHHM		1
12	543 04 58-82	GRAPH. DANGER+RISQUE DE/COUPUR		1
13	544 95 09-01	BLADE GUARD		1
14	543 85 00-37	STICKER		1
15	504 06 92-01	KIT		1
16	725 24 97-71	SCREW EHHM		1
17	734 11 72-01	WASHER		2
18	543 04 66-33	WASHER		1
19	543 04 47-32	RONDEL RESSOR 23X10,2X1/		2
20	732 25 20-01	HEXAGON LOCKING NUT		2
21	504 06 91-01	POINTER		1
22	731 23 20-01	HEXAGON NUT		2
23	725 25 05-51	SCREW EHHM		1
24	543 04 59-32	WHEEL		1
25	542 20 20-75	BUSHING		1
26	542 20 21-06	WASHER		1
28	725 23 66-71	SCREW EHHM		1
29	734 11 52-01	WASHER		1
30	725 53 68-01	SCREW IHSCM		2
31	731 71 20-51	HEXAGON NUT FLANGE		1

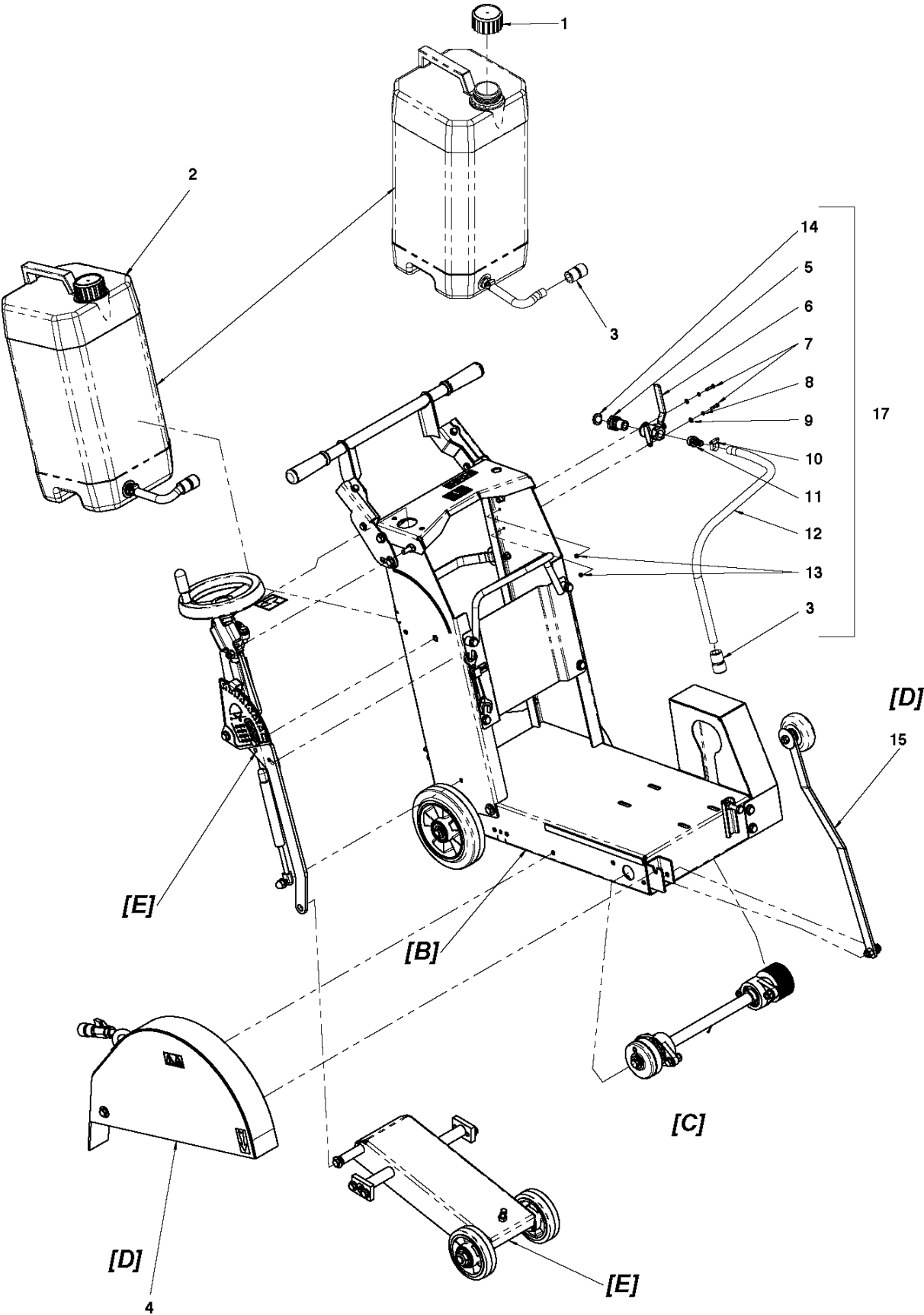
HONDA GX 390



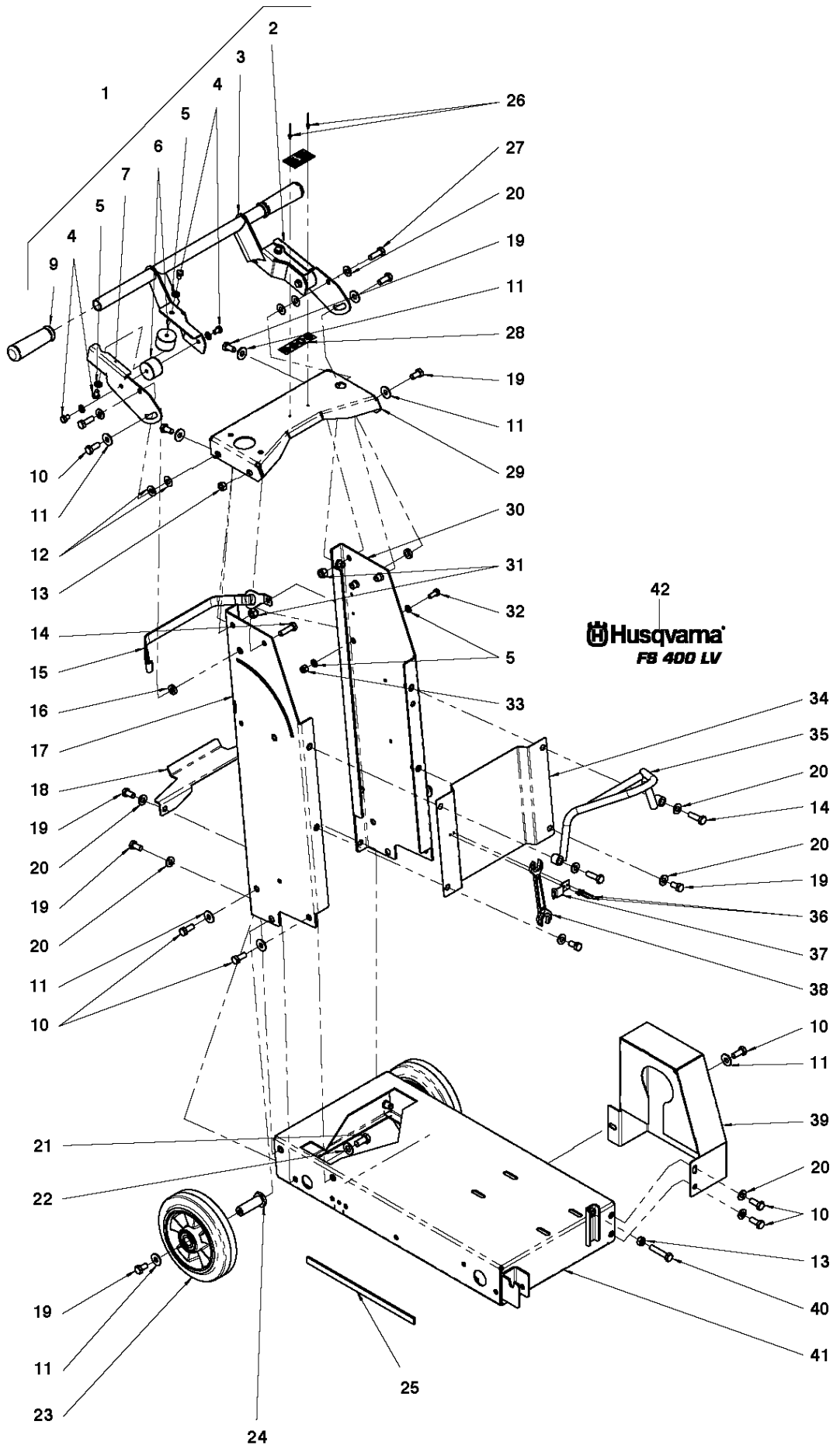
ENGINE

FS400 LV, 2014-08

Ref	Part No	Description	Remark	QTY KIT
1	543 04 49-64	BELT		1
2	732 25 20-01	HEXAGON LOCKING NUT		4
3	734 11 74-41	WASHER		4
4	542 18 22-52	CORD		2
5	725 23 66-61	SCREW EHHFT		1
6	543 04 78-52	CLE A BOUGIE D.21 L160/		1
7	543 04 50-99	ATTACHE FIL D/9 ADH/		5
9	543 04 57-88	NOISE STICKER 108/		1
10	543 04 58-71	GRAPH STOP/		1
11	587 00 50-01	STOP SWITCH		1
12	543 04 78-41	BOUCHON ECHAPPEMENT/UNIVERSEL	HONDA	1
13	542 20 21-51	OIL DRAIN ASSY		1
15	728 74 45-05	SCREW IHSETM		2
16	543 04 65-72	PULLEY ENGINE D/25.4/39424		1
17	587 61 38-01	PLATE KIT		1
18	725 25 02-51	SCREW EHHM		4

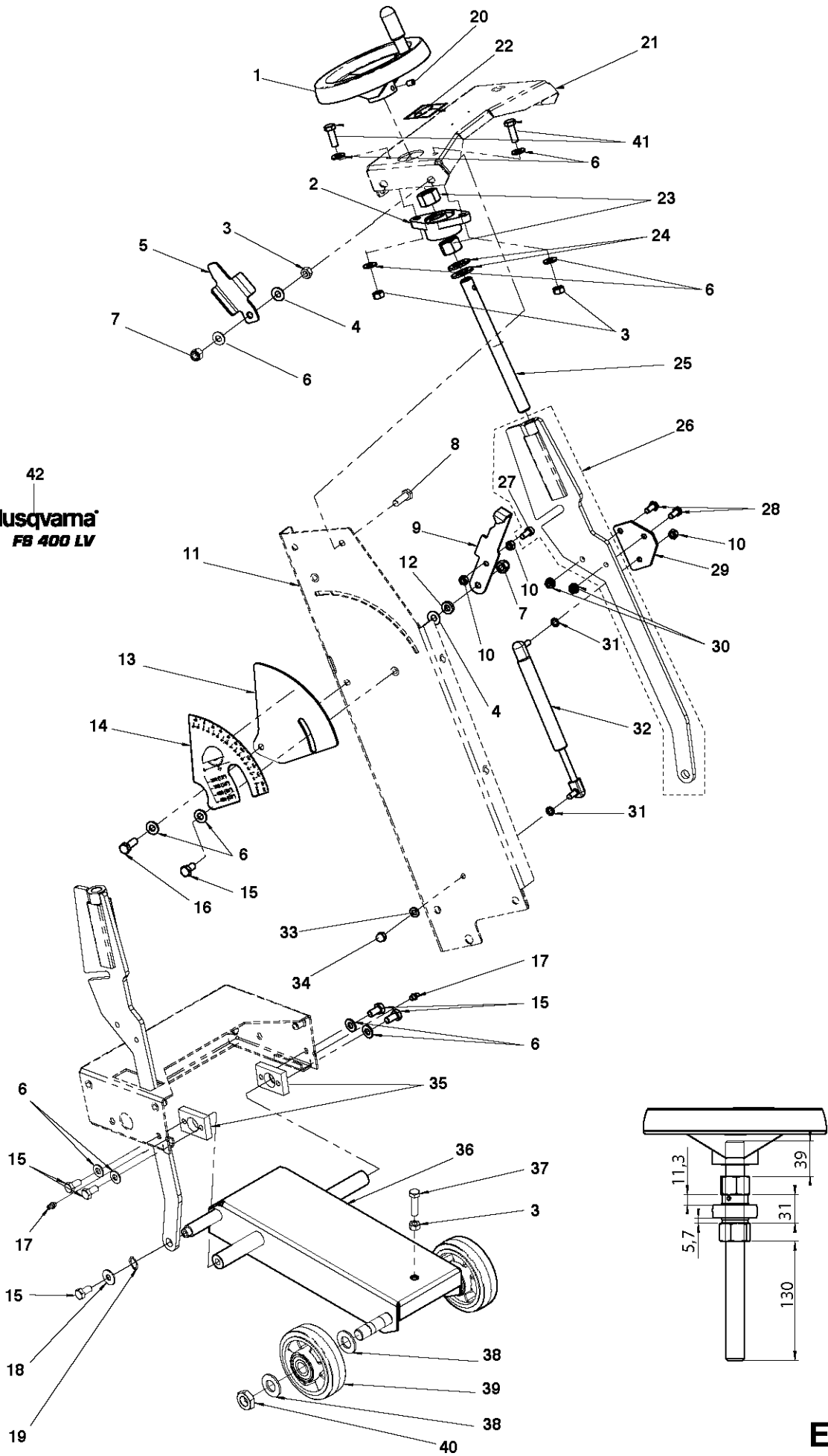


Ref	Part No	Description	Remark	QTY KIT
1	543 04 55-99	PLUG		1
2	543 04 98-99	S/E RESERVOIR D'EAU/FS350 C-02		1
3	543 04 56-12	RACCORD RAPIDE LAITON/D/15 535		2
4	502 08 29-01	BLADE GUARD		1
5	542 20 23-08	FITTING		1
6	505 21 34-01	VALVE		1
7	725 22 95-71	SCREW EHHM		2
8	735 21 64-01	LOCK WASHER		2
9	734 11 36-01	WASHER		2
10	543 85 03-44	CLIP		1
11	542 20 23-21	FITNG 1/2" MNPT X 12 DIA BARB		1
12	543 04 55-80	TUY TRICOCLAIR AL 12*18/	1 Meter	1
13	732 25 12-01	HEXAGON LOCKING NUT		2
14	542 04 56-40	FS900T RING/		1
15	504 06 92-01	KIT		1
17	542 20 23-15	WATER. SIDE ASSY	US	1



Ref	Part No	Description	Remark	QTY KIT
1	585 24 71-01	HANDLE		1
2	544 95 11-01	ARM		1
3	581 79 39-02	HANDLE ASSY		1
4	725 24 47-71	SCREW EHHM		8
5	734 11 63-01	WASHER		10
6	581 81 28-01	ANTIVIBRATION ELEMENT		4
7	544 95 10-01	ARM		1
9	542 13 95-68	FS902T GRIP/		2
10	725 24 93-71	SCREW EHHM		9
11	734 11 74-41	WASHER		12
12	543 04 47-32	RONDEL RESSOR 23X10,2X1/		4
13	731 23 20-01	HEXAGON NUT		2
14	725 24 97-71	SCREW EHHM		3
15	543 04 56-17	SANGLE ELASTIQUE LG 300/		1
16	543 04 66-33	WASHER		2
17	544 95 05-01	SIDE PANEL		1
18	544 95 00-01	SUPPORT		1
19	725 24 91-71	SCREW EHHM		11
20	734 11 72-01	WASHER		12
21	725 25 34-71	SCREW EHHM		2
22	734 11 78-01	WASHER		2
23	543 04 59-51	WHEEL		2
24	543 04 25-15	WHEEL AXLE		2
25	543 04 60-68	BANDE NEO ADH 1 FACE 8*4/		1
26	722 78 18-03	BLIND RIVET		2
27	725 24 95-71	SCREW EHHM		2
28	543 04 58-53	GRAPHISME COMPO 97044/		1
29	504 06 85-01	CONSOLE		1
30	544 95 06-01	SIDE PANEL	EU	1
30	544 95 06-04	SIDE PANEL	US	1
31	732 25 20-01	HEXAGON LOCKING NUT		2
32	725 24 51-71	SCREW EHHM		1
33	732 21 18-01	LOCK NUT		1
34	544 94 98-01	PROTECTIVE PLATE		1
35	544 94 99-01	LIFT BAIL		1
36	543 85 01-03	RIVET		2
37	543 04 62-03	RESSORT N[34365/		1
38	543 04 59-04	CLE FOURCHE DIN895/16/18/CHROM		1
39	544 95 01-01	BELT GUARD		1
40	725 25 01-71	SCREW EHHM		1
41	544 95 03-01	FRAME		1
42	586 62 71-01	DECAL		1

42
Husqvarna
FB 400 LV



HEIGHT ADJUSTMENT

FS400 LV, 2014-08

Ref	Part No	Description	Remark	QTY KIT
1	543 07 62-94	FS 450F ROOLIRATAS		1
2	504 79 89-01	BEARING		1
3	731 23 20-01	HEXAGON NUT		4
4	543 04 47-32	RONDEL RESSOR 23X10,2X1/		2
5	543 07 66-51	BEFESTIGUNG		1
6	734 11 72-01	WASHER		11
7	732 25 20-01	HEXAGON LOCKING NUT		2
8	725 24 97-71	SCREW EHHM		1
9	543 07 45-15	HOEHENVERSTELLUNG		1
10	731 23 18-01	HEXAGON NUT		3
11	544 95 05-01	SIDE PANEL		1
12	543 04 66-33	WASHER		1
13	543 07 96-29	ADJUSTING SUPPORT D450FS400CS		1
14	543 07 96-19	STICKER		1
15	725 24 91-71	SCREW EHHM		6
16	725 24 95-71	SCREW EHHM		1
17	504 20 45-01	GREASE		2
18	734 11 74-41	WASHER		1
19	543 85 03-52	WASHER		1
20	728 74 47-05	SCREW IHSETM		1
21	504 06 85-01	CONSOLE		1
22	543 07 12-67	LABEL		1
23	543 04 47-72	NUT		2
24	543 07 63-29	WASHER		2
25	543 04 28-61	HEIGHT ADJUSTMENT SCREW/		1
26	587 22 43-01	HEIGHT ADJUSTER		1
27	725 54 51-01	SCREW IHSCM		1
28	725 24 51-71	SCREW EHHM		2
29	543 07 45-26	GASFEDER		1
30	731 71 18-51	HEXAGON NUT FLANGE		2
31	735 11 64-01	SPRING WASHER		2
32	543 07 62-93	SPRING		1
33	734 11 63-01	WASHER		1
34	543 04 47-66	NUT		1
35	543 04 19-59	CLAMP		2
36	544 95 04-01	CARRIAGE		1
37	725 24 99-71	SCREW EHHM		1
38	543 04 02-17	RONDELLE ACIER M20 BICHR/		4
39	543 04 59-49	WHEEL		2
40	543 04 47-57	ECROU PLAT HM 20 BICHRO./		2
41	725 24 95-71	SCREW EHHM		2
42	586 62 71-01	DECAL		2